

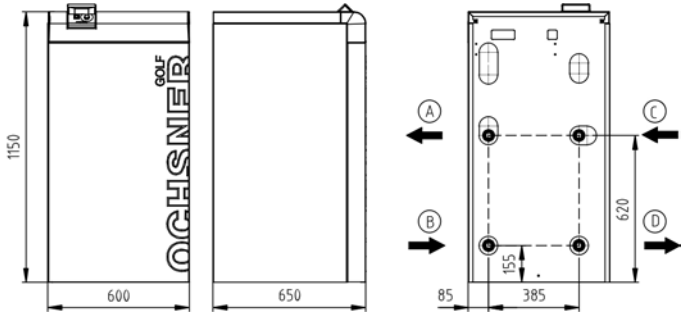
GMSW 28 HK

MONOVALENT HEATING SYSTEM WITH BRINE AS HEAT SOURCE

ORDER NUMBER: 264358

SERIES: GOLF MAXI HK

TF MAX. 55 °C



(A) FLHC (outlet) (B) RTNHC (inlet) (C) WQA (inlet) (D) WQA (outlet)

APPLIANCE DATA

Dimensions HxWxD	[mm]	1150x600x650
Hydraulic connection	[inch]	1 1/2"
Weight	[kg]	161
Casing colour		Tiger white 29/11289/grey RAL 7016

SPECIFICATION

Phases/nominal voltage/frequency	[~]/[V]/[Hz]	3/400/50
Output factor cos φ		0,69
Fuse protection (tripping curve "C")	[A]	20
Max. operating current	[A]	17,00
Max. starting current/max. with soft start	[A]	99.00 / 49.50
Sound power/sound pressure level (at 1 m distance)	[dBA]	53.60 / 45.60

HEATING MODE PERFORMANCE FIGURES (to EN 14511)

Standard point B0/W35

Heating output	[kW]	22,20
Total power consumption / operating current	[kW]/[A]	5.10 / 10.60
COP		4,30

Operating point B0/W50

Heating output	[kW]	18,30
Total power consumption / operating current	[kW]/[A]	6.10 / 14.40
COP		3,00

COOLING MODE PERFORMANCE FIGURES

Operating point B25/W18

Cooling capacity	[kW]	27,30
Total power consumption / operating current	[kW]/[A]	4.90 / 11.60
Energy efficiency ratio EER		5,60

Operating point B25/W7

Cooling capacity	[kW]	16,10
Total power consumption / operating current	[kW]/[A]	4.00 / 9.50
Energy efficiency ratio EER		4,00

CONDENSER

Type		Plate heat exchanger
Material		Stainless steel 1.4301
Max. refrigerant operating pressure	[bar]	30
Max. heat transfer medium operating pressure	[bar]	6
Heat transfer medium temperature differential	[K]	5
Application range	[°C]	55
Heat transfer medium		Water
Test pressure	[bar]	45
Heat transfer medium flow rate	[m³/h]	3,40
Internal pressure differential	[mbar]	120
Flow meter FM standard	external	FM 25 x 1 1/2" (male) kvs 20
Circulation pump heat sink (WNA)	external	Stratos Para 30/1-12
Residual head I WNA external, incl. FM	[mbar]	904

REFRIGERANT CIRCUIT

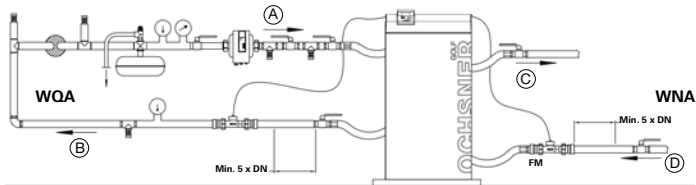
Refrigerant		R407C
Refrigerant charge	[kg]	3,3

COMPRESSOR

Type		Scroll
Output levels		1
Speed	[rpm]	2900
Voltage/frequency	[V]/[Hz]	400/50

EVAPORATOR

Type		Plate heat exchanger
Material		Stainless steel 1.4401
Number	[pce]	1
Max. heat transfer medium operating pressure	[bar]	6
Max. refrigerant operating pressure	[bar]	12
Heat transfer medium temperature differential	[K]	3
Application range	[°C]	-5/+20
Heat transfer medium		Brine max. 30%
Test pressure	[bar]	45
Heat transfer medium flow rate	[m³/h]	4,60
Internal pressure differential	[mbar]	240
Flow meter (FM) standard	external	FM 25 x 1 1/2" (male) kvs 20
Circulation pump heat source (WQA)	external	Stratos Para 30/1-12
Residual head I WQA external, incl. FM	[mbar]	973



- (A) Heat source inlet
- (B) Heat source outlet
- (C) Heat pump flow
- (D) Heat pump return

RECOMMENDED ACCESSORIES

Heat pump buffer tank	min. PU800	30 l/kW at B0/W35
DHW tank	DHW heating not recommended	-
3-way switching module	DN40 (1 1/2")	kvs 25, pressure loss 19 mbar
External PHE for DHW heating	PHE 5007	Prim.: 1 1/4" / 40 mbar Sec.: 1" / 51 mbar
Brine collector set for shallow laying	ESKP 10	Pressure loss 59 mbar incl. brine distributor

EXTRACTION CAPACITY ACC. TO VDI 4640

FOR SHALLOW LAYING

Soil conditions	Max. spec. extraction capacity at 1800 h/a	Max. spec. extraction capacity at 2400 h/a
Dry, non-cohesive soil	10 W/m ²	8 W/m ²
Cohesive soil, moist	25 W/m ²	20 W/m ²
Water-saturated soil with sand/gravel	40 W/m ²	32 W/m ²

FOR DEEP TRENCH LAYING

Soil conditions	Max. spec. extraction capacity at 1800 h/a
Cohesive soil, moist	100 W/m deep trench
Water-saturated soil	125 W/m deep trench

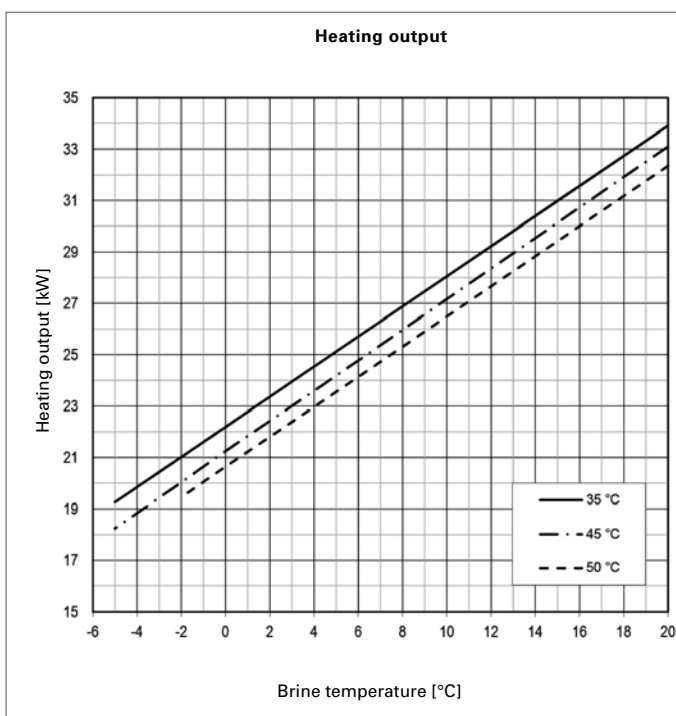
FOR GEOTHERMAL PROBES

Soil conditions	Spec. extraction capacity at 1800 h/a	Max. spec. extraction capacity at 2400 h/a
Dry sediment	25 W/m	20 W/m
Shale, slate	45 W/m	35 W/m
Firm rock with high thermal conductivity	84 W/m	70 W/m
Substratum with high groundwater flow	65-80 W/m	55-65 W/m

SIZING RECOMMENDATION WITH BRINE AS HEAT SOURCE

Pressure loss in connection line, incl. individual losses	Max. 100 mbar
Pressure loss in brine circuits or probes, incl. brine distributor	Max. 300 mbar

PERFORMANCE CURVES GMSW 28 HK



PRODUCT DATA ErP: GMSW 28 HK

	COLDER	MEAN	HOTTER
LOW TEMPERATURE	A+++		35°C
ηs	188	182	184
Energy consumption	[kWh] 11144	9638	6190
P rated	[kW] 22	22	22
SCOP	4,91	4,76	4,79
MEDIUM TEMPERATURE	A++		55°C
ηs	144	139	140
Energy consumption	[kWh] 12994	11320	7250
P rated	[kW] 20	20	20
SCOP	3,81	3,66	3,70
	indoor	outdoor	
Sound power level	[dBA] 53,6	-	
Controller class with room remote control	VII	Controller contribution [%]	3,5
Controller class without room remote control	III	Controller contribution [%]	1,5

